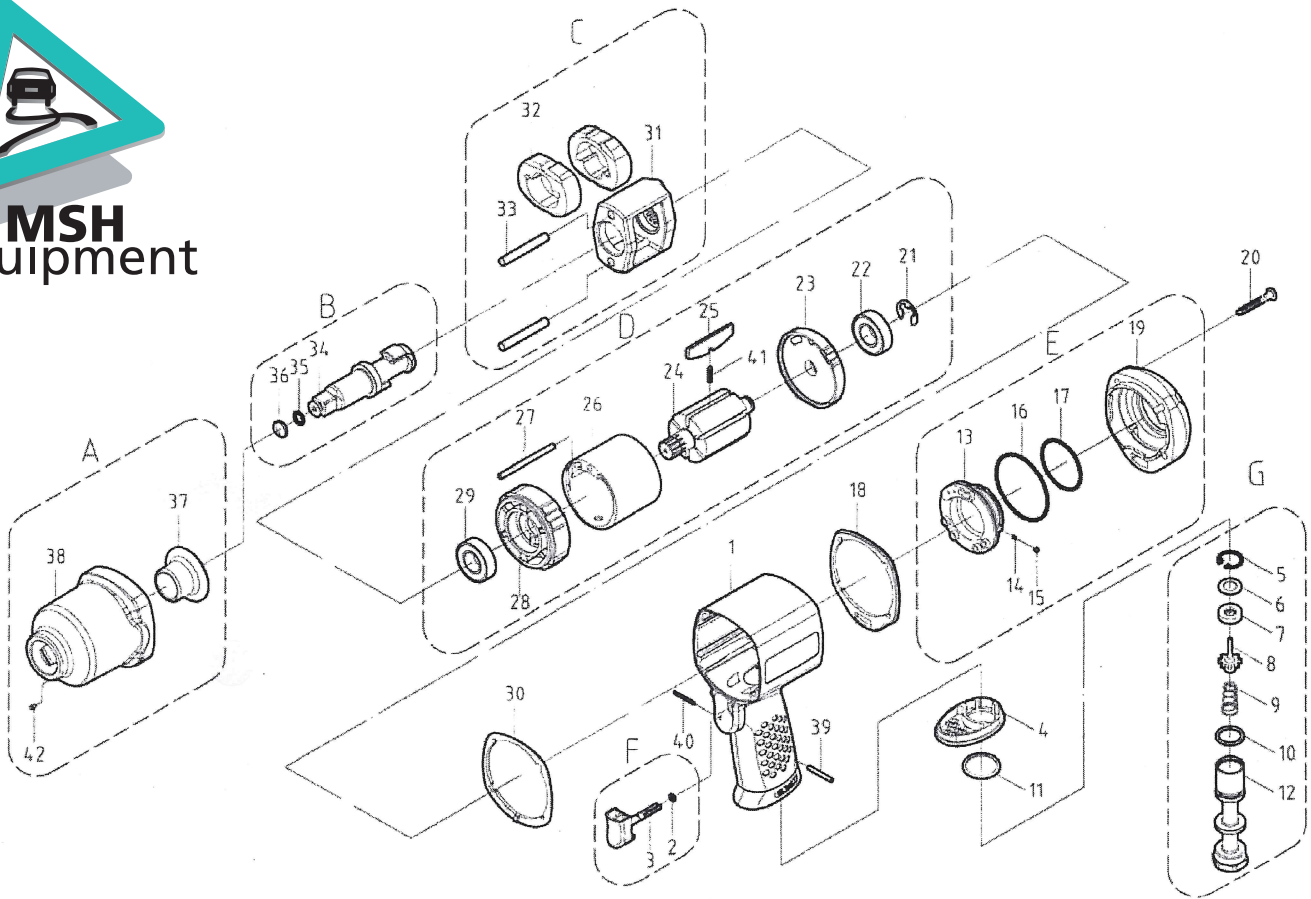


A-2008

1/2" AIR IMPACT WRENCH (TWIN HAMMER), COMPOSIT HOUSING



PARTS LIST

No.	Parts No.	Description	Q'ty	No.	Parts No.	Description	Q'ty
1	A2008-C554-01	Housing	1	21	A2008-C554-21	E-Ring	1
2	A2008-C554-02	O-Ring	1	22	A2008-C554-22	Ball Bearing	1
3	A2008-C554-03B	Trigger (Blue)	1	23	A2008-C554-23	Rear Plate	1
4	A2008-C554-04	Exhaust Deflector	1	24	A2008-C554-24	Rotor	1
5	A2008-C554-05	Retaining Ring	1	25	A2008-C554-25	Blade	7
6	A2008-C554-06	Washer	1	26	A2008-C554-26	Cylinder	1
7	A2008-C554-07	Oil Seal	1	27	A2008-C554-27	Spring Pin	1
8	A2008-C554-08	Pin Valve Rod	1	28	A2008-C554-28	Front Plate	1
9	A2008-C554-09	Cone Spring	1	29	A2008-C554-29	Ball Bearing	1
10	A2008-C554-10	O-Ring	1	30	A2008-C554-30B	Packing (Blue)	1
11	A2008-C554-11	Washer	1	31	A2008-C554-31	Hammer Cage	1
12	A2008-C554-12A	Air Inlet (PT19)	1	32	A2008-C554-32	Hammer	2
	A2008-C554-12B	Air Inlet (NPT18)	1	33	A2008-C554-33	Hammer Pin	2
	A2008-C554-12C	Air Inlet (PS19)	1	34	A2008-C554-34	1/2" Dr. Anvil	1
13	A2008-C554-13B	Reverse Lever (Blue)	1	35	A2008-C554-35	O-Ring	1
14	A2008-C554-14	Spring	1	36	A2008-C554-36	Anvil Collar	1
15	A2008-C554-15	Steel Ball	1	37	A2008-C554-37	Bushing	1
16	A2008-C554-16	O-Ring	1	38	A2008-C554-38G	Front Casing (Dark Gray)	1
17	A2008-C554-17	O-Ring	1	39	A2008-C554-39	Spring Pin	1
18	A2008-C554-18B	Packing (Blue)	1	40	A2008-C554-40	Spring Pin	1
19	A2008-C554-19	Cover	1	41	A2008-C554-41	Spring	7
20	A2008-C554-20	Screw	4	42	A2008-C554-42	Oil Drop	1